

Abrasive Regulator II

ACCURACY
POWER FOR EVERY PURPOSE

The **best** abrasive regulator in its class
Built for **accuracy**
Unmatched **flexibility**

Ideally suited for

Optimizing abrasive consumption
Those requiring flexible production



Why it's **BETTER**

Abrasive is the largest percentage of operating cost, and its optimal use is vital to the success of your waterjet operation. AccuStream has developed an abrasive regulator that provides extreme accuracy and versatility to optimize the cutting process and reduce the overall costs associated with wasted abrasive.

1 | EXCLUSIVE ADJUSTMENT

"The ability to precisely adjust the amount of abrasive has saved us thousands of dollars over the years," --Bill Klippel, AMS Waterjet

2 | RAPID RESPONSE

"With a turn of a dial, our shop can fine tune the amount of abrasive being delivered to the cutting head instantly, no more changing disc. We like the instant feedback and the flexibility" --Mike Hanson, Hydro Cut

3 | DESIGNED for FLEXIBILITY

"Our old system had one setting. The Regulator 2 has 30 settings. We can now change the abrasive flow depending on material and thickness, while still maintaining quality edges" --Joe Cunningham, C & C Precision Machine

4 | BUILT to LAST

AccuStream brings decades of experience, rigorous research, and ongoing product development to everything we do. The combination of intelligent design and quality manufacturing add up to a product that delivers maximum longevity and reliability.

 **AccuStream**[™]
waterjet products



ACCURACY

Abrasive Regulator II

Regulator Highlights

1 EXCLUSIVE ADJUSTMENT

- 30 precision settings from 0 - 2.2 lbs/min
- On the go adjustment with no interruption to the cutting process
- Eliminates wasted abrasive by fine tuning delivery

2 PERFORMANCE MONITORING

- Acrylic canister allows for visual confirmation of the abrasive delivery during the cutting process
- Abrasive reference guide for user convenience

3 EASY OPERATION

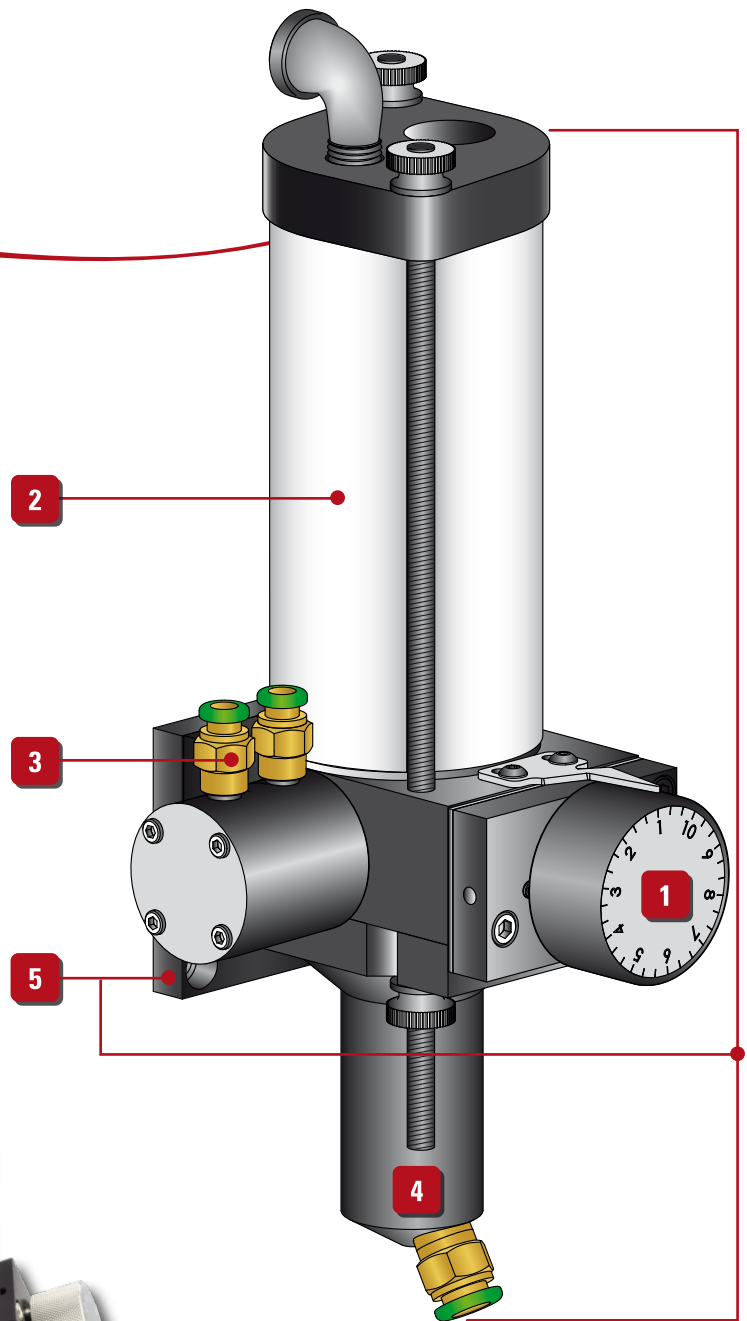
- Air to open and air to close control
- Spring loaded shoulder bolts ensure smooth opening and closing

4 OPERATOR CONVENIENCE

- Built in back flow diverter minimizes water from reaching internal components.
- Quick connect fitting allows for fast and easy removal of plugs from the abrasive line
- Tool-less design makes it easy to inspect and clean internal components when necessary

5 SIMPLE INSTALLATION

- Two holes on the mounting plate allows convenient mounting near the cutting head
- Adapts to any cutting system due to its compact and lightweight design



Specifications

PHYSICAL	Flow Rate	0-2.2 lbs/min (0 - 1 kg/min)
	Operating Control	Air to open/close
	Net Weight	4.1 lbs (1.86 kg)
	Length	5.3 in (134.6 mm)
	Width	2.5 in (63.5 mm)
	Height	12.3 in (312 mm)