

AS-6075 75 HP 60,000 psi INTENSIFIER PUMP

PERFORMANCE POWER FOR EVERY PURPOSE

Unmatched **durability**
Exceptional **performance** and **reliability**
Largest single intensifier in class

Ideally suited for

Medium to heavy abrasive cutting
Multiple-head pure water cutting



1 | ADVANCED INTENSIFIER TECHNOLOGY™ (AIT)

AIT is AccuStream's exclusive technology and an integral part of the A and AS series of pumps. Our unparalleled user-oriented innovations deliver industry leading maintenance intervals and rapid component replacement.



2 | OPERATOR CONVENIENCE

The Accustream touch screen control center provides easy - to - understand graphics that guide the operator through the necessary steps to operate and maintain any of the AS Series pumps. Every aspect of the AS-6075 has been designed with convenience and accessibility in mind.



3 | SUPERIOR CUT QUALITY

Our large volume attenuator, optimal stroke utilization and advanced hydraulic circuitry create smooth ultra-high pressure water to the cutting head for superior edge quality. Pressure compensated hydraulic pumps and exclusive electronic shift technology have set the standard for performance and reliability.

4 | LOWEST COST of OPERATION

AccuStream boasts the industries most reliable and cost efficient water jet pump available today. With unsurpassed cutting speeds, increased component life, and cost effective replacement parts, the AS-6075 is the perfect choice for those conscious of the bottom line.

5 | BUILT to LAST

AccuStream brings decades of experience, rigorous research, and ongoing product development to everything we do. The combination of intelligent design and quality manufacturing add up to a pump that delivers maximum longevity and reliability.

AS Series INTENSIFIER PUMPS
POWER FOR EVERY PURPOSE
by AccuStream



PERFORMANCE

AS-6075 75 HP 60,000 psi INTENSIFIER PUMP



Pump Highlights

- Variable volume piston pump
- Kidney loop oil cooling and filtration
- TEFC motor
- Safety bleed down valve
- Inlet water: accumulator booster pump 10, 1 & .45 micron filtration
- Electronic monitoring
- Easy to read front mounted gauges
- 2 liter attenuator
- Remote control connectivity

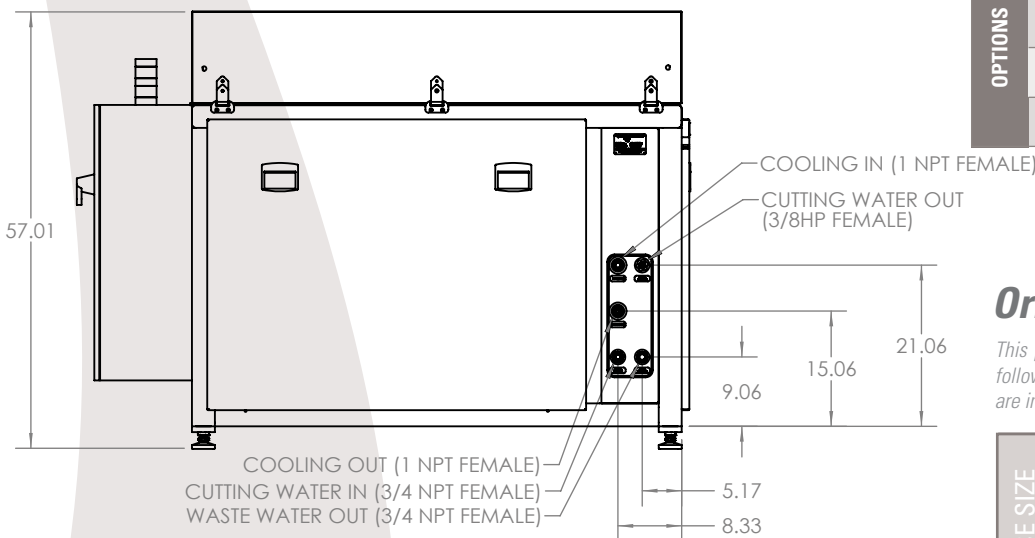
Specifications

		50 Hz	60 Hz
GENERAL	Max. Output Flow, gpm (lpm)	1.5 (5.68)	1.6 (6.06)
	Max. Orifice, in (mm)	0.017 (0.43)	0.018 (0.46)
	Continuous Output Pressure	All Adjustable to 60,000 psi (4137 bar)	
	Intensifier Configuration	Single	
	Pressure Control	Panel-Mounted Dual Manual	
	Bleed Down Valve	Hydraulic	

PUMP POWER	Motor Power, hp (kw)	50 (37)	
	Voltage, V	400	460/575
	Full Load Amps, A	104	88/70
	Main Breaker, A	125	125/90
	Soft Start	Y-Delta	

PHYSICAL	Overall Width, in (mm)	40 (1016)	
	Overall Length, in (mm)	76 (1930)	
	Overall Height, in (mm)	56 (1422)	
	Approx. Operating Weight, lb (kg)	3300 (1497)	

OPTIONS	Air over Oil Cooling
	Chiller for Oil Cooling
	Redundancy
	Electronic Proportional Control



Orifice Combinations

This pump will support the following orifice sizes (sizes are in inches and mm)

		FREQUENCY (Hz)	
		50 Hz	60 Hz
ORIFICE SIZE	1 Orifice (in/mm)	.017/.43	.018/.46
	2 Orifices (in/mm)	.012/.30	.013/.33
	3 Orifices (in/mm)	.010/.25	.010/.25
	4 Orifices (in/mm)	.009/.23	.009/.23
	5 Orifices (in/mm)	.008/.20	.008/.20
	6 Orifices (in/mm)	.007/.18	.007/.18

